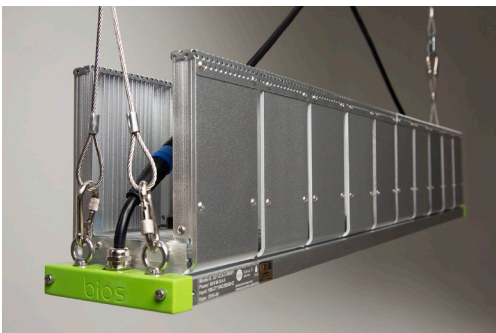


# bios

## Icarus<sup>®</sup> Ti3

SPECTRALLY OPTIMIZED  
EASY-TO-INSTALL  
ENERGY EFFICIENT



## Greenhouse - Top Light Applications

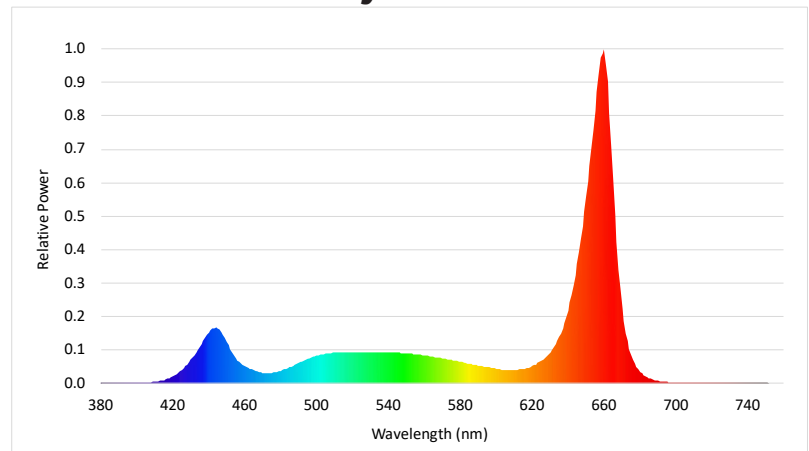
### Exceptional PAR Output and PAR Efficacy

BIOS Icarus Ti3 LED grow lights offer maximum light output in a minimal footprint and durable form factor to boost crop production for greenhouse or indoor top light growing environments.

### Features and Benefits

- + Fully assembled, industrial grade construction and durability.
- + Optimized broad spectrum, dimmable light for all phases of plant growth and production.
- + Remote 750W power supply (LED driver) for ease of installation.
- + Unique heat pipe thermal design allows for passive cooling, eliminating fans, moving parts, and noise.

### Scientifically Engineered Spectrum Maximizes Photosynthesis and Growth



### Performance Summary

- + Fixture Wattage: 750Watts
- + Voltage: 100-305VAC, 305-580VAC
- + Photosynthetic Photon Flux: 2,250  $\mu\text{mol/s}$
- + PAR Photon Efficacy ( $\mu\text{mol PAR/J}$ ): 3.0  $\mu\text{mol/J}$
- + Ingress Protection: IP66
- + Warranty: 5 Year Limited

## Fixture Specifications

|                                 |   |
|---------------------------------|---|
| <b>APPLICATIONS</b>             | Greenhouse Supplemental Lighting   Indoor Top Light |
| <b>INPUT VOLTAGE</b>            | 100-305VAC, 305-580VAC                              |
| <b>FIXTURE SIZE / WEIGHT US</b> | 44.25"L x 4.88"W x 6.75"H   23 lbs                  |
| <b>FIXTURE SIZE / WEIGHT M</b>  | 112.4 cm L x 12.4 cm W x 17.1 cm H   10.4 kg        |
| <b>POWER SUPPLY WEIGHT US</b>   | 11.02"L x 5.67"W x 1.91"H   8.6lbs                  |
| <b>POWER SUPPLY WEIGHT M</b>    | 28.0 cm L x 14.4 cm W x 44.9 cm H   3.9kg           |
| <b>DIMMING SOURCE CURRENT</b>   | 300 uA (typical)                                    |
| <b>DIMMING PROTOCOL</b>         | 0-10V I Dims to Off Linearly                        |
| <b>HOUSING AND FINISH</b>       | Anodized clear                                      |
| <b>MOUNTING TECHNIQUE</b>       | Y-ft Gripple Hangers, Unistrut Hanger               |
| <b>MOUNTING HEIGHT</b>          | 36"-96" Above Plant Canopy                          |
| <b>SPECTRUM</b>                 | Maximum Efficiency White Light Spectrum             |
| <b>CERTIFICATIONS</b>           | UL8800, RoHS, FCC, DLC                              |
| <b>FIXTURE WATTAGE</b>          | 750W  |
| <b>POWER FACTOR</b>             | > 95%   |
| <b>PPF</b>                      | 2,250µmol/s   |
| <b>PAR EFFICACY</b>             | 3.0 µmol/J  |
| <b>THERMAL MANAGEMENT</b>       | Passive heat pipe thermal management                |
| <b>WARRANTY</b>                 | 5 Year Standard Limited                             |
| <b>LIGHT DISTRIBUTION</b>       | 115 °   |
| <b>AMBIENT TEMP. RANGE</b>      | 41°F-104°F (5°C-40°C)                               |
| <b>INGRESS PROTECTION</b>       | IP66  |
| <b>PROJECTED LIFETIME</b>       | L90: > 56000 hrs                                    |

## Accessory Part Numbers

| PART   | SKU            |
|--|----------------|
| DC EXTENSION CABLE 2.5 METER                               | 321-CABS-00002 |
| AC EXTENSION CABLE 2.5 METER                               | 321-CABS-00043 |
| NEMA 5-15P   | 321-CABS-00040 |
| NEMA 6-15P   | 321-CABS-00041 |
| NEMA L6-15P  | 321-CABS-00038 |
| NEMA L6-20P  | 321-CABS-00039 |
| NEMA L7-15P  | 321-CABS-00042 |
| NEMA L7-20P  | 321-CABS-00045 |
| DIMMING CHAIN 'Y' CABLE                                    | 321-CABS-00049 |
| Dimming Chain Jumper Cable; 2.5M                           | 321-CABS-00050 |
| Hydro-X Controller w/ 3-in-1 Sensor (Temp / Humid / Light) | 321-HCS-1      |
| Hydro-X Lighting Control Adaptor (0-10V control protocol)  | 321-LMA-14     |
| Hydro-X RJ12 to 3.5 Jack Convertor Cable Set               | 321-ECS-2      |

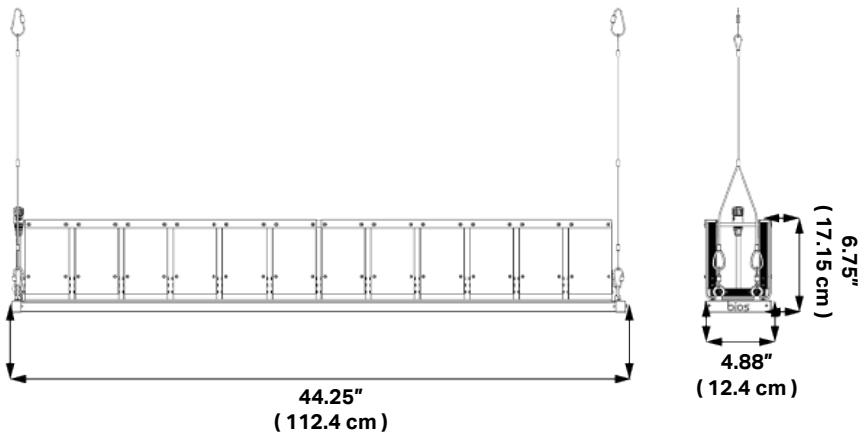
## Product Accessories

DC Extension Cable 2.5 Meter  
AC Extension Cable 2.5 Meter  
NEMA Plugs:

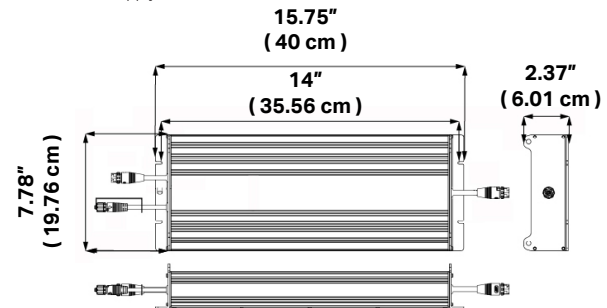
5-15P, 6-15P, L6-15P, L6-20P, L7-15P, L7-20P

## Product Dimensions

Fixture



Power Supply



Cables

